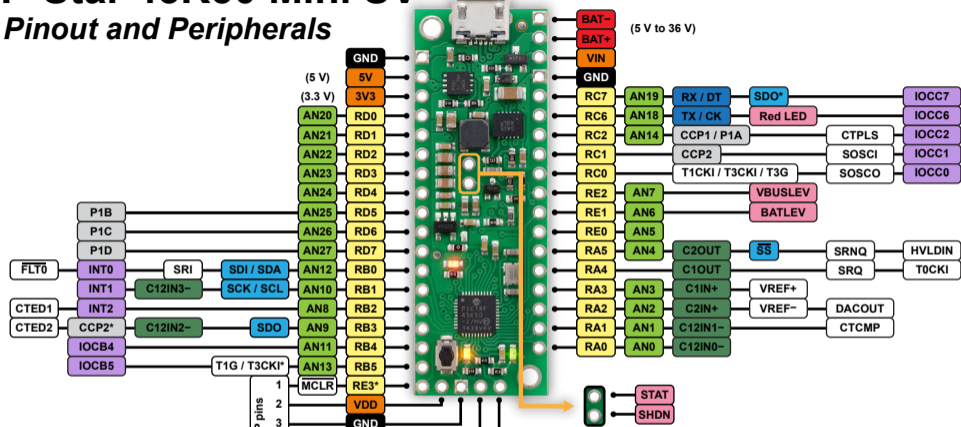


P-Star 45K50 Mini SV

Pinout and Peripherals

USB Micro-B



❶ Pull-ups available on Port B and MCLR.



External power input	EUSART
Power distribution	MSSP (SPI and I2C)
Ground	PWM outputs
I/O pin names	Interrupts
ADC channels	Other functions
Comparator	On-board hardware

* Function can only be used if bootloader is erased.