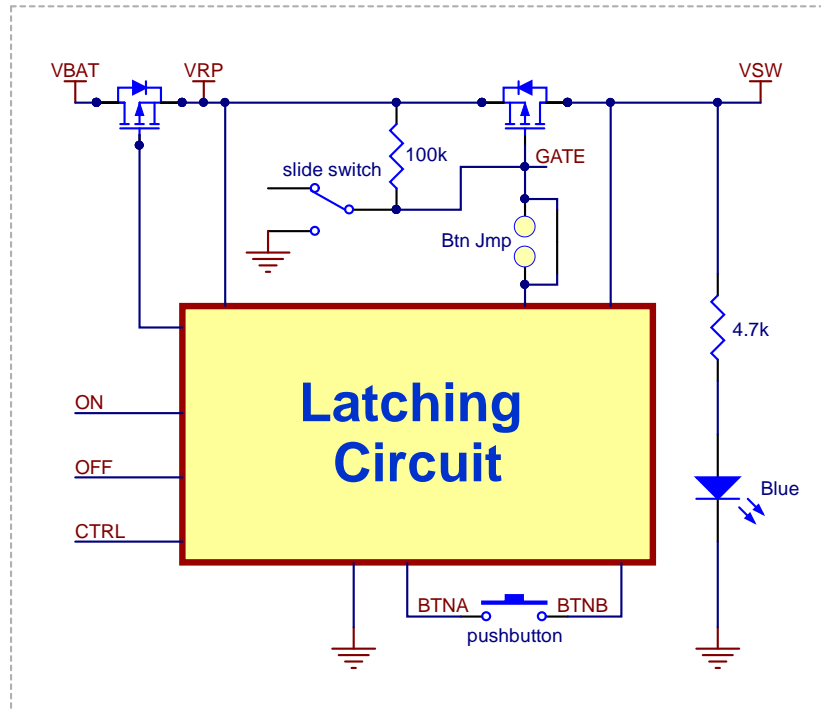
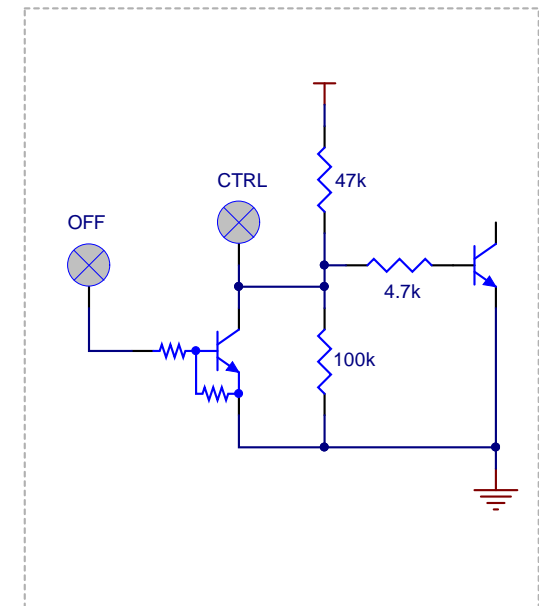


Simplified switch schematic



Input structure of OFF and CTRL inputs



Input structure of ON input

