

## Product Data Sheet



### Standard Features:

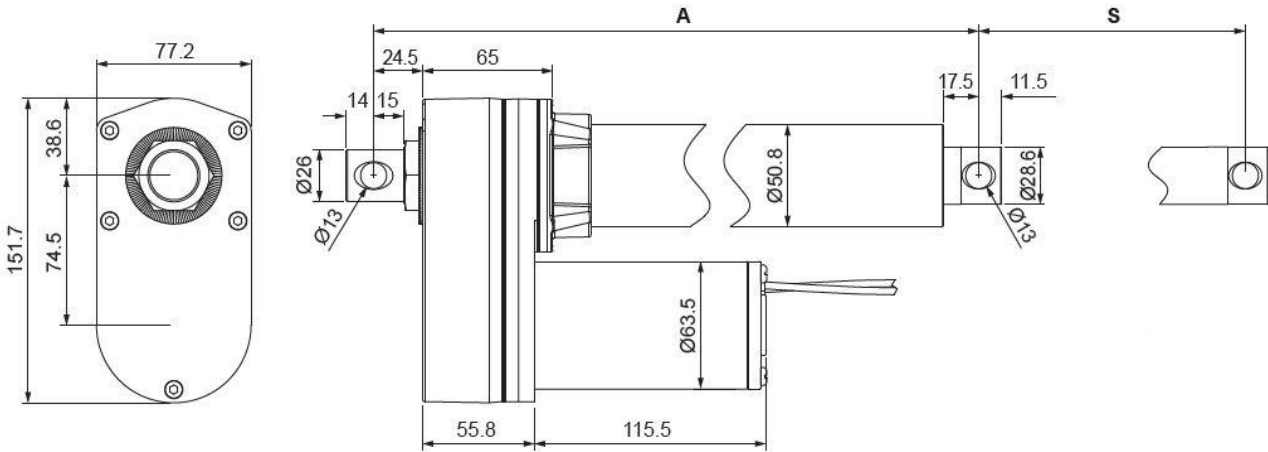
- Carbon steel frame and extension tube
  - Aluminum gearbox housing
- Nominal stroke lengths: 4", 6", 8", 12", 18", 24", [other stroke lengths available]
- Input voltage: 12VDC, 24VDC
- Standard gear ratio: 20:1 [other ratios available]
- Dynamic load range: 337 lbs. [1,500 Newtons] -to- 787 lbs. [3,500 Newtons]
- Maximum static load: 1,012 lbs. [4,500 Newtons] (ACME)
- Maximum current draw (at full load): 11.0 -to- 17.6 Amps @ 12 VDC
- Speed at no load: 0.33 in/sec [8.4 mm/sec] -to- 1.32 in/sec [33.5 mm/sec]
- Speed at full load: 0.29 in/sec [7.4 mm/sec] -to- 1.05 in/sec [26.7 mm/sec]
- Overload clutch
- Mounting hole diameter (both ends): 1/2" [13mm]
- Duty cycle: 25% or 2 min continuous operation in 8 min.
- Working temperature: -13F [-25C] to +149F [+65C]
- IP rating: IP65

### Accessories:

- Mounting brackets
- Direction reversing switches
- Direction reversing relays
- Direction reversing wireless controllers

**Dimensions**

**Standard (without Limit Switches or Potentiometer)**

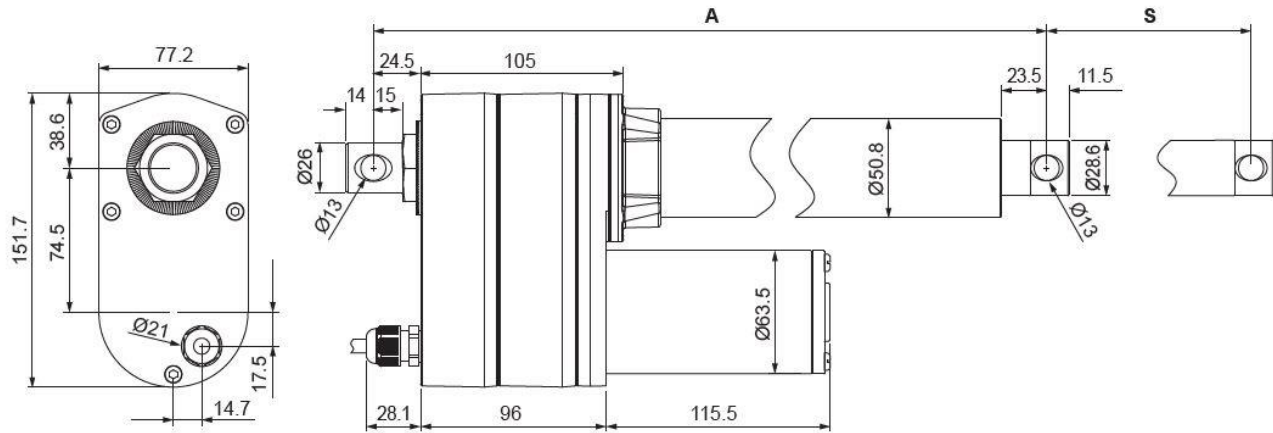


Nominal Stroke	4"		6"		8"		12"		18"		24"	
	in	mm	in	mm	in	mm	in	mm	in	mm	in	mm
Actual Stroke (S)	4.02	102	6.02	153	8.03	204	12.05	306	18.07	459	24.09	612
Retracted Length (A)	10.24	260	12.24	311	14.25	362	18.27	464	27.20	691	33.23	844
Extended Length	14.25	362	18.27	464	22.28	566	30.31	770	45.28	1150	57.32	1456

Tolerance: ±5mm

**Dimensions**

**With Potentiometer Only**

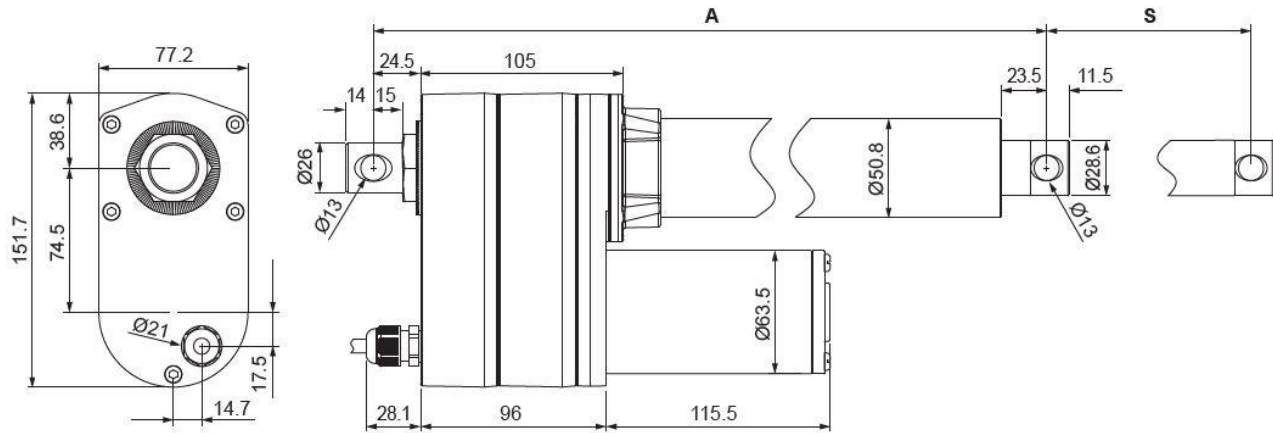


Nominal Stroke	4"		6"		8"		12"		18"		24"	
	in	mm	in	mm	in	mm	in	mm	in	mm	in	mm
Actual Stroke (S)	4.02	102	6.02	153	8.03	204	12.05	306	18.07	459	24.09	612
Retracted Length (A)	11.81	300	13.82	351	15.83	402	19.84	504	28.78	731	33.23	844
Extended Length	15.83	402	19.84	504	23.86	606	31.89	810	46.85	1190	57.32	1456

Tolerance: ±5mm

**Dimensions**

**With Only Limit Switches or Limit Switches and Potentiometer**



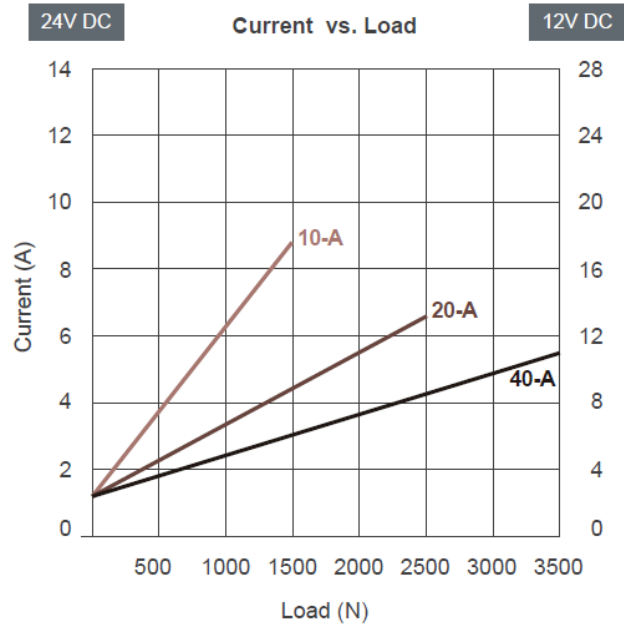
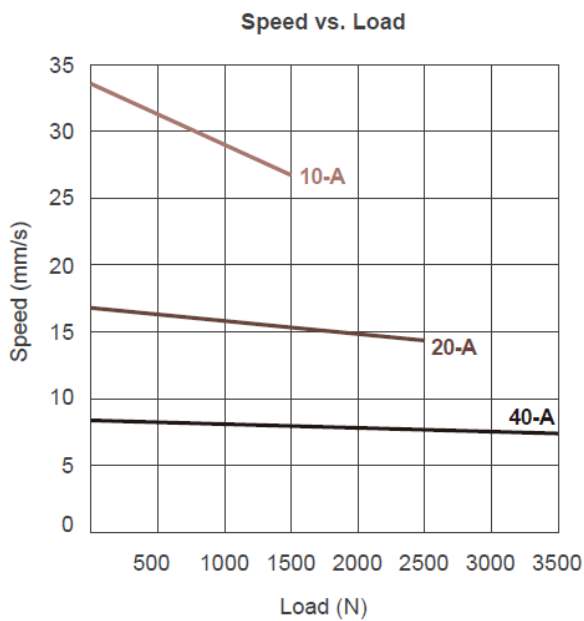
Nominal Stroke	4"		6"		8"		12"		18"		24"	
	in	mm	in	mm	in	mm	in	mm	in	mm	in	mm
Actual Stroke (S)	3.50	89	5.51	140	7.52	191	11.54	293	17.56	446	23.58	599
Retracted Length (A)	12.05	306	14.06	357	16.06	408	20.08	510	29.02	737	35.04	890
Extended Length	15.55	395	19.57	497	23.58	599	31.61	803	46.57	1183	58.62	1489

Tolerance: ±7mm

## Performance Data

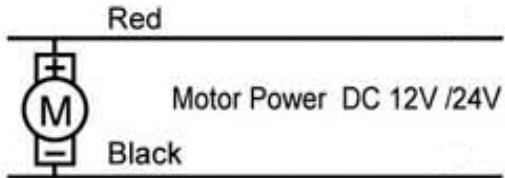
Gear Ratio	Max Load/Dynamic		Speed/No Load		Speed/Max Load	
	Lbs. [US]	Newtons	inches/sec	mm/sec	inches/sec	mm/sec
10:1	337	1500	1.32	33.5	1.05	26.7
20:1	562	2500	0.66	16.8	0.56	14.3
40:1	787	3500	0.33	8.4	0.29	7.4

Gear Ratio	Typical Current (A)			
	No Load		Full Load	
	12 VDC	24 VDC	12 VDC	24 VDC
10:1	2.4	1.2	17.6	8.8
20:1	2.4	1.2	13.2	6.6
40:1	2.4	1.2	11.0	5.5



## Electrical

### Standard



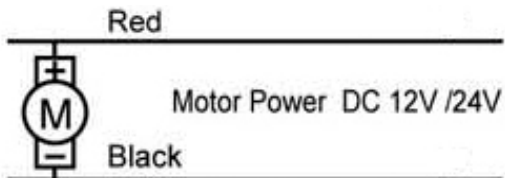
Gear Ratio: 10:1, 20:1

Red + // Black - : Extend  
Red - // Black + : Retract

Gear Ratio: 40:1

Red + // Black - : Retract  
Red - // Black + : Extend

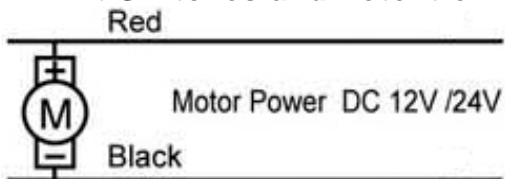
### With Limit Switches



Gear Ratio: 10:1, 20:1, 40:1

Red + // Black - : Extend  
Red - // Black + : Retract

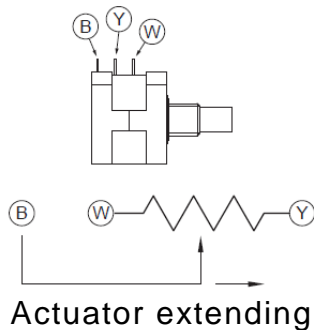
### With Potentiometer (or Limit Switches and Potentiometer)



Gear Ratio: 10:1, 20:1, 40:1

Red + // Black - : Extend  
Red - // Black + : Retract

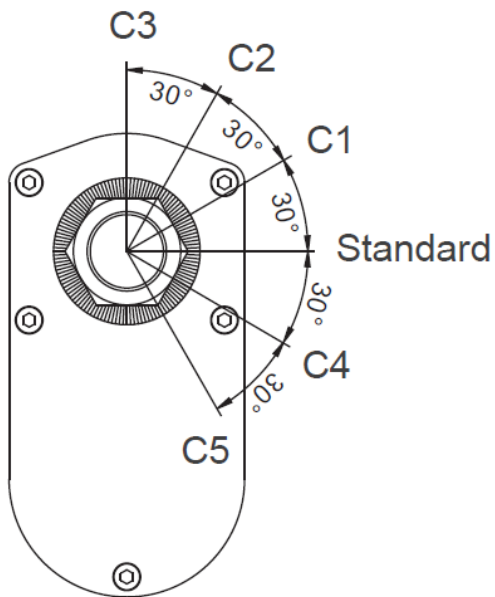
## Potentiometer



When fully retracted, the potentiometer reading will be in the range of 0 - 600 $\Omega$  (between the blue and the white wires).

When fully extended, the potentiometer reading will be in the range of 8K - 10K $\Omega$  (between the blue and the white wires).

## Base Stud Mount Hole Orientation



**Ordering Key**

LACT  -    -

**Stroke (nominal)**

- 4 : 4" [102mm]
- 6 : 6" [153mm]
- 8 : 8" [203mm]
- 12 : 12" [305mm]
- 18 : 18" [457mm]
- 24 : 24" [610mm]

Additional stroke lengths available

**Drive Type**

500A : AMCE Screw (562 lbs. @ 20:1)

**Potentiometer**

- P: Has a potentiometer
- <Blank>: If no potentiometer

**Limit Switches**

- L: Has limit switches
- <Blank>: If no limit switches

**Options**

Gear Ratio	12 VDC	24 VDC
10:1	D	H
20:1	<Blank>	I
40:1	F	K

- Not all combinations stocked
- 48 VDC available by special request

**Terms of Use**

The user is responsible for determining the suitability of Concentric International products for specific applications. Due to continuous development in order to improve its products, Concentric International products are subject to change without prior notice. Concentric International reserves the right to discontinue the sale of any products at any time.